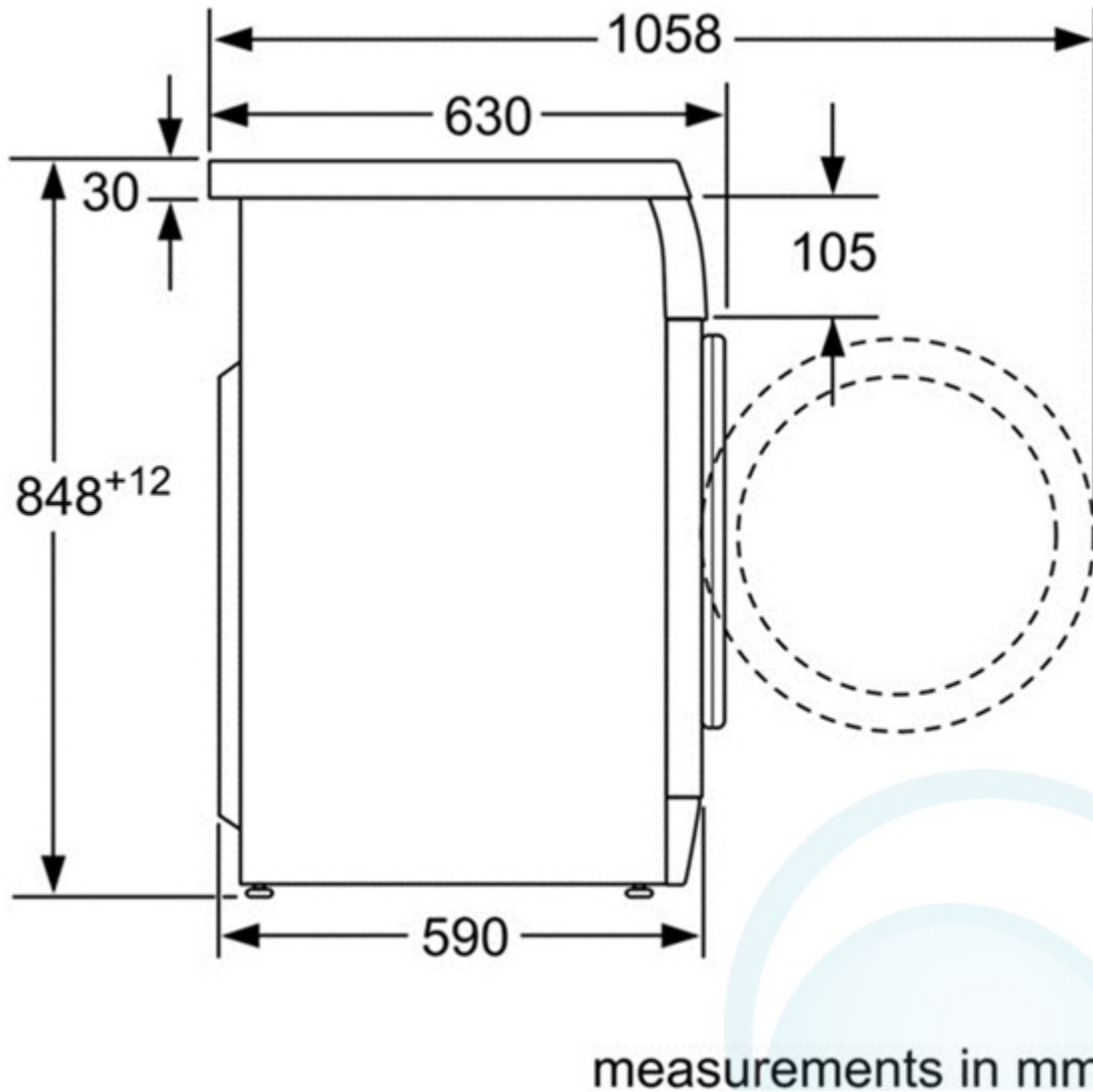




User manual for samsung dryer

Document has moved here →



This SAMSUNG brand product, as supplied and distributed by SAMSUNG and delivered new, in the original carton to the original consumer purchaser, is.

Retrevo provides Manuals, User Guides, Reference Guides for more than 5272 Samsung products. Select one of the categories below to find the User Manuals.

View and Download Samsung DV400EWHDR/AA user manual online. User Manual Ver.1.0 (English, Croatian, Maltese). DV400EWHDR/AA Dryer pdf manual download.

View and Download Samsung DV50F9A6EVW/A2 user manual online. User Manual Installation Guide Included Ver.1.0 (English, French, Spanish). DV50F9A6EVW/A2.

Retrevo provides free online PDF manuals, user guides, instruction manuals, owners manual, tips and support information for all consumer electronics products.

Samsung Galaxy Note 3 Neo Duos. By marmen | June 10, 2016 | Category Samsung. Galaxy Note 3 Neo Duos Download user manual Smartphone Galaxy Note 3 Neo Duos.

Need some help with your Samsung phone, tablet or wearable? Drop by your local Samsung Support Centre for hands-on support and expert advice. [Click here.](#)

User Manual and User Guide for many equipments like mobile phones, photo cameras, motherboard, monitors, software, tv, dvd, and others.